



Door coupling rotary handle, red-yellow, lockable, for emergency switching off

Part no. NZM4-XTVDVR
Catalog No. 266618

EL-Nummer (Norway) 4358956

Similar to illustration

Delivery program

| | | |
|--|--|---|
| Product range | | Accessories |
| Accessories | | Door coupling rotary handle |
| Standard/Approval | | UL/CSA, IEC |
| Construction size | | NZM4 |
| Description | | Door coupling rotary handle for operating the switch through a closed control panel door |
| Function | | Red-yellow for emergency switching off |
| Protection class | | IP66 UL/CSA Type 4X, Type 12 |
| Locking facility | | lockable on the handle on the switch using up to 3 padlocks With door interlock |
| Door interlock | | Not defeated in the locked OFF position. Can be modified in the unlocked ON position Can be modified such that it can be defeated from the outside using a screwdriver Door can be opened in OFF |
| Project planning information | | External warning plate/designation label can be clipped on. Complete including rotary drive and coupling parts Extension shaft additionally required. |
| For use with | | NZM4(-4), N(S)4(-4) |
| lockable | | double |
| Notes | | |
| Circuit-breaker can also be installed in a lying position 90 ° left/right, with the handle still in the same position. | | |

Design verification as per IEC/EN 61439

| | | |
|--|--|--|
| IEC/EN 61439 design verification | | |
| 10.2 Strength of materials and parts | | |
| 10.2.2 Corrosion resistance | | Meets the product standard's requirements. |
| 10.2.3.1 Verification of thermal stability of enclosures | | Meets the product standard's requirements. |
| 10.2.3.2 Verification of resistance of insulating materials to normal heat | | Meets the product standard's requirements. |
| 10.2.3.3 Verification of resistance of insulating materials to abnormal heat and fire due to internal electric effects | | Meets the product standard's requirements. |
| 10.2.4 Resistance to ultra-violet (UV) radiation | | Meets the product standard's requirements. |
| 10.2.5 Lifting | | Does not apply, since the entire switchgear needs to be evaluated. |
| 10.2.6 Mechanical impact | | Does not apply, since the entire switchgear needs to be evaluated. |
| 10.2.7 Inscriptions | | Meets the product standard's requirements. |
| 10.3 Degree of protection of ASSEMBLIES | | Does not apply, since the entire switchgear needs to be evaluated. |
| 10.4 Clearances and creepage distances | | Meets the product standard's requirements. |
| 10.5 Protection against electric shock | | Does not apply, since the entire switchgear needs to be evaluated. |
| 10.6 Incorporation of switching devices and components | | Does not apply, since the entire switchgear needs to be evaluated. |
| 10.7 Internal electrical circuits and connections | | Is the panel builder's responsibility. |
| 10.8 Connections for external conductors | | Is the panel builder's responsibility. |
| 10.9 Insulation properties | | |
| 10.9.2 Power-frequency electric strength | | Is the panel builder's responsibility. |
| 10.9.3 Impulse withstand voltage | | Is the panel builder's responsibility. |
| 10.9.4 Testing of enclosures made of insulating material | | Is the panel builder's responsibility. |
| 10.10 Temperature rise | | The panel builder is responsible for the temperature rise calculation. Eaton will provide heat dissipation data for the devices. |

| | | |
|-------------------------------------|--|--|
| 10.11 Short-circuit rating | | Is the panel builder's responsibility. The specifications for the switchgear must be observed. |
| 10.12 Electromagnetic compatibility | | Is the panel builder's responsibility. The specifications for the switchgear must be observed. |
| 10.13 Mechanical function | | The device meets the requirements, provided the information in the instruction leaflet (IL) is observed. |

Technical data ETIM 7.0

Low-voltage industrial components (EG000017) / Handle for power circuit breaker (EC000229)

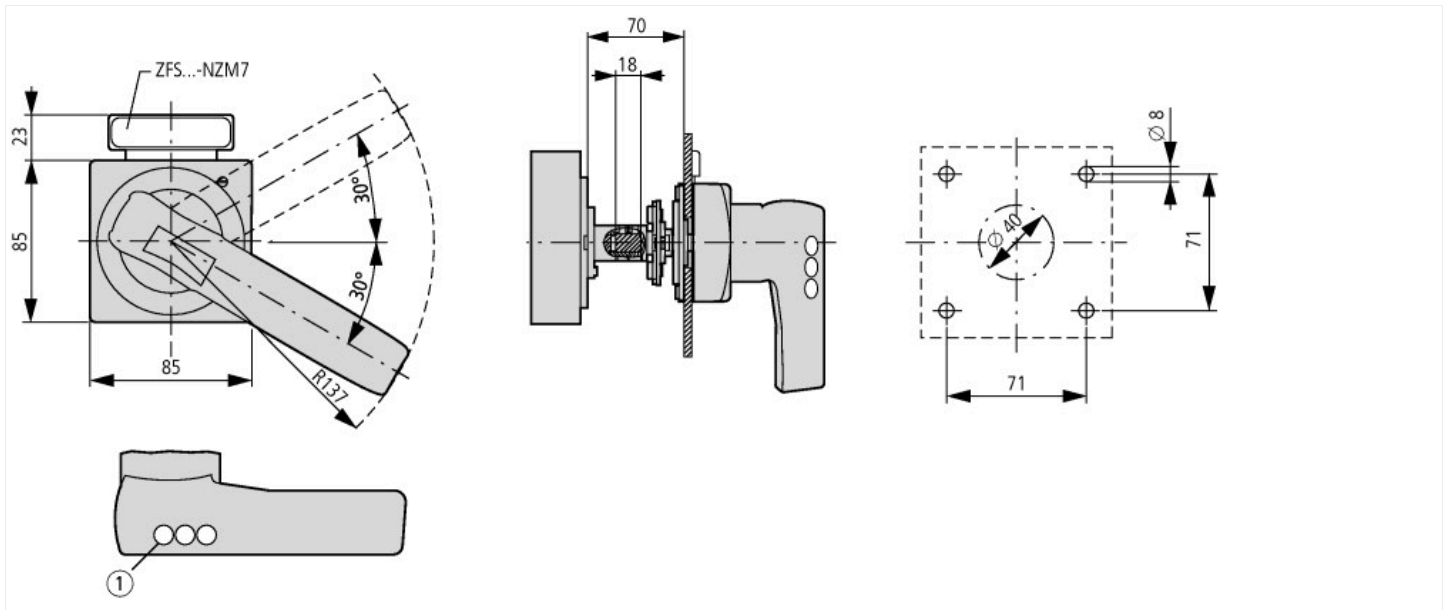
Electric engineering, automation, process control engineering / Low-voltage switch technology / Circuit breaker (LV < 1 kV) / Handle for switch devices (ecl@ss10.0.1-27-37-04-14 [AKF012014])

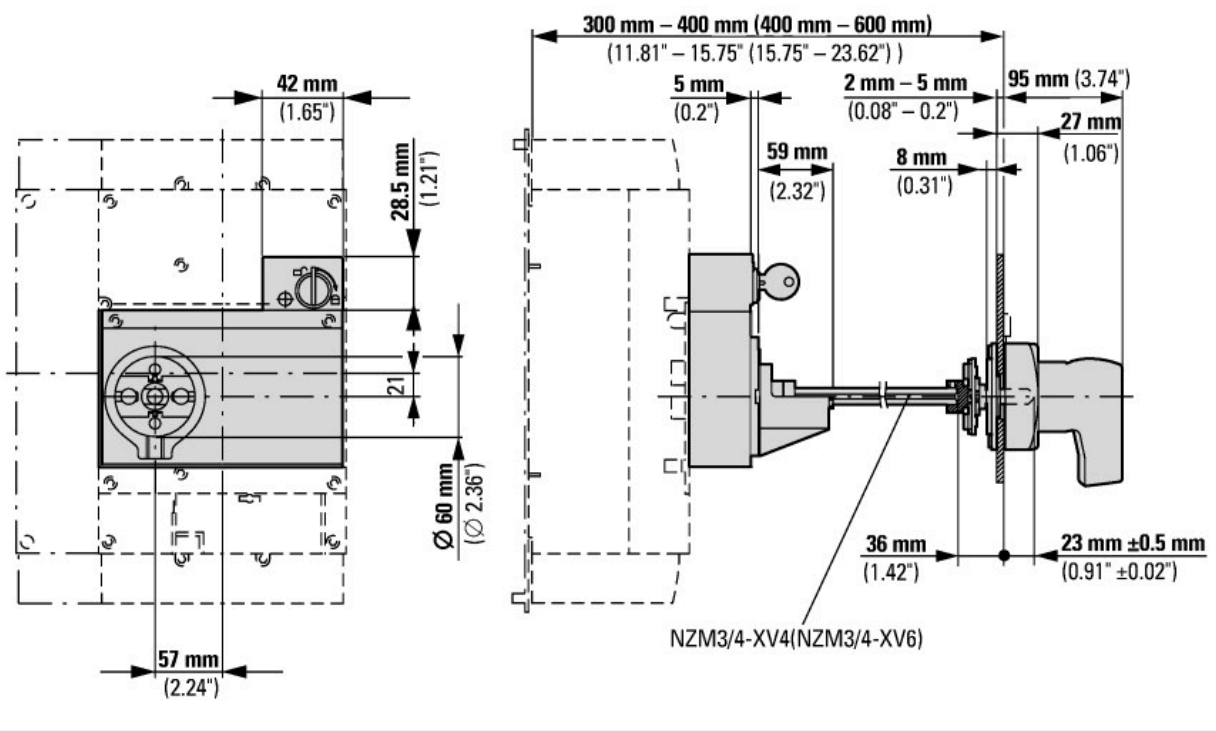
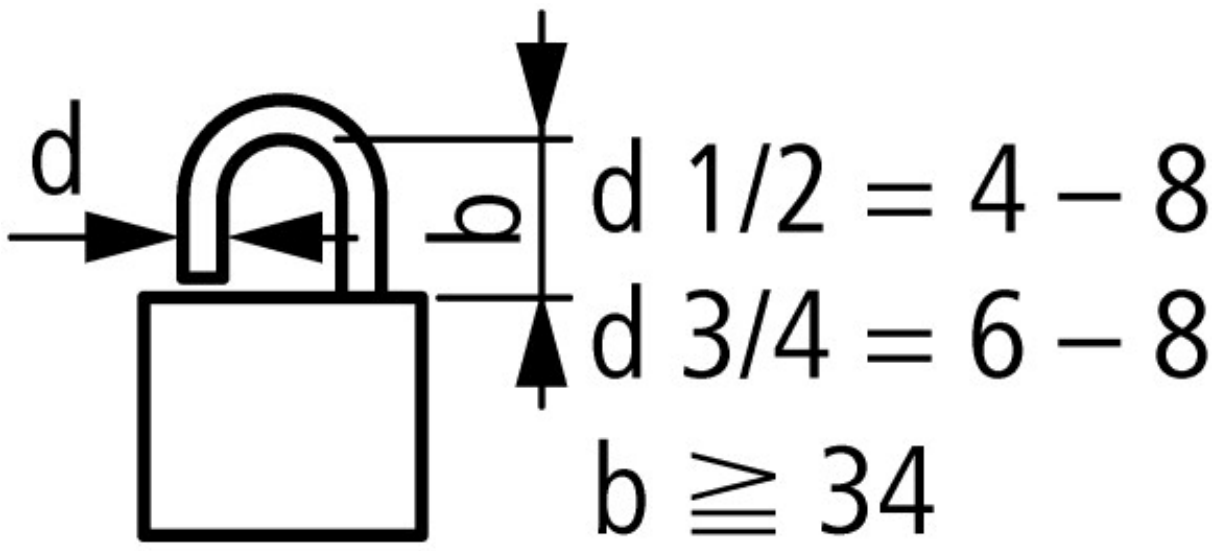
| | | |
|------------------------------------|--|-----|
| Lockable | | Yes |
| Colour | | Red |
| Suitable for emergency stop | | Yes |
| With extension shaft | | No |
| Suitable for power circuit breaker | | Yes |
| Suitable for switch disconnecter | | Yes |

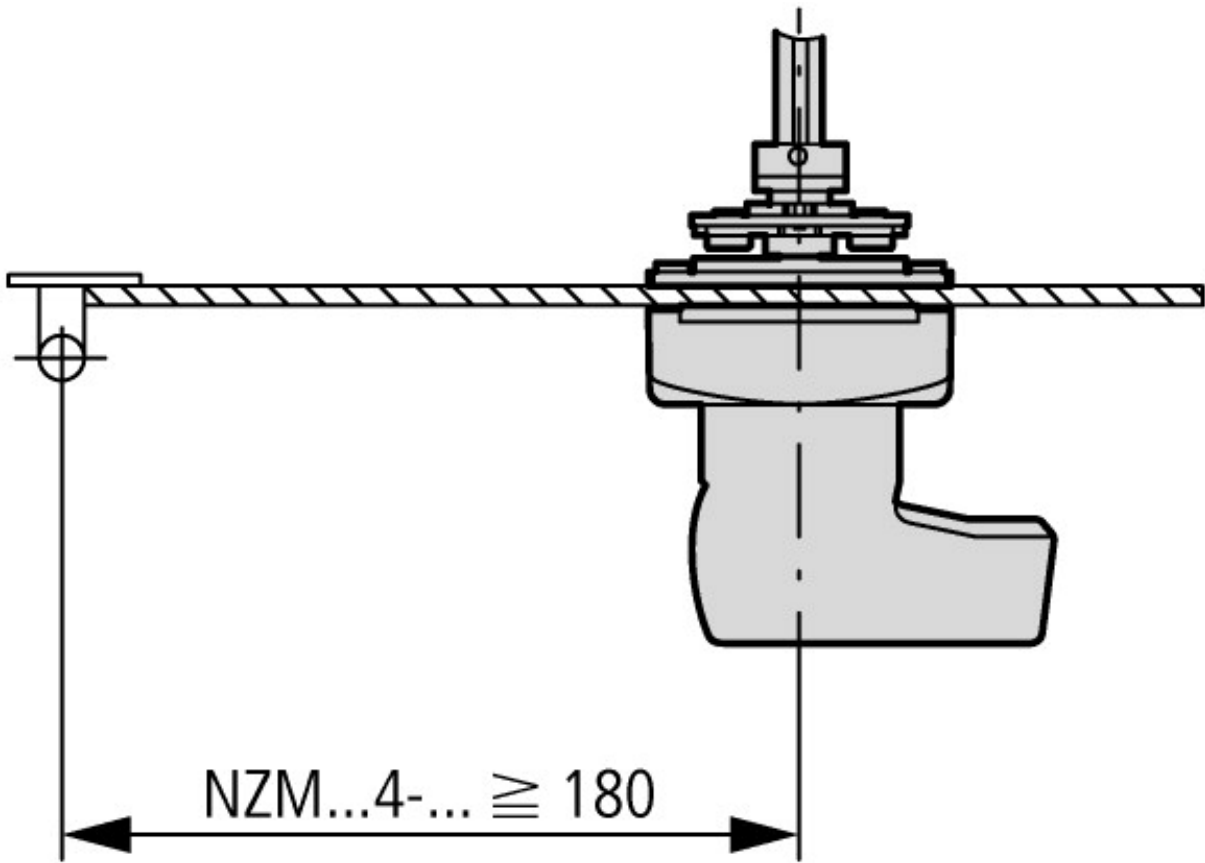
Approvals

| | | |
|-----------------------------|--|---|
| Product Standards | | UL489; CSA-C22.2 No. 5-09; IEC60947, CE marking |
| UL File No. | | E140305 |
| UL Category Control No. | | DIHS |
| CSA File No. | | 022086 |
| CSA Class No. | | 1437-01 |
| North America Certification | | UL listed, CSA certified |
| Degree of Protection | | IEC: IP66, UL/CSA Type 4X, 12 |

Dimensions







Minimum door coupling rotary handle clearance from door pivot point